

Isolators

MIS63-1 & MIS100-1 Series



2 Pole Isolator (32-63A)



3 Pole Isolator (32-63A)



3 Pole Isolator (100A)

Type	rating	cat. no.
2P	32A	MIS232N
Width	40A	MIS240N
	63A	MIS263N
2 module		
36mm		
Packing size		
box /carton		6 / 60

Type	rating	cat. no.
3P	32A	MIS332N
Width	40A	MIS340N
	63A	MIS363N
3 module		
54mm		
Packing size		
box /carton		4 / 40

Type	rating	cat. no.
3P	100A	MIS3100N
3 module		
54mm		
Packing size		
box /carton		4 / 40



Technical Data

Description

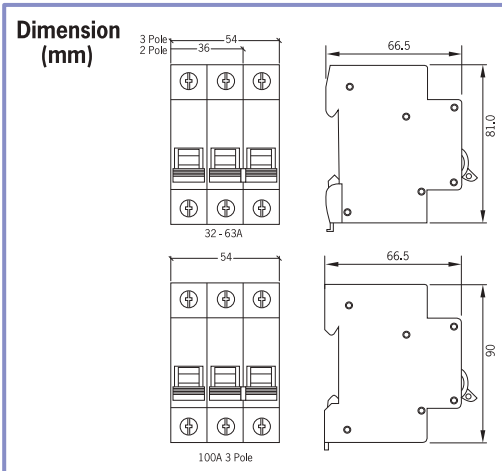
- Use as an isolating switch for an electrical circuit.
- Use in domestic, commercial and light industrial installations

Electrical

Design according to IEC 60947-3
 Rated voltage 230/400V~, 240/415V~
 Rated current 32, 40, 63, 100A
 No. of poles 2, 3
 Utilization category AC22B
 Rated withstand current (Icw) 10In(Is)
 Degree of protection IP20
 Electrical & mechanical >4000 operating cycles

Mechanical

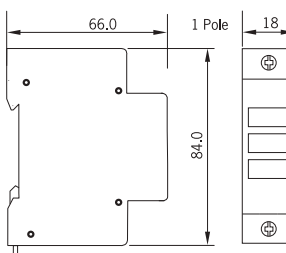
Terminal capacity 1-25mm² (32 to 63A)
 1-35mm² (100A)
 Mounting installation DIN rail EN 50022



Colour Indicator Lights



Type	cat. no.
RYB	MIL
Width	
1 module	
18 mm	



Technical Data

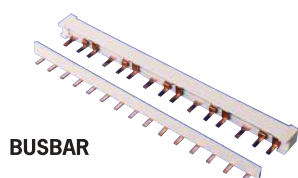
Electrical

Design according to IEC 60947-5
 Rated voltage 240V~
 Frequency 50Hz
 Degree of protection IP20

Mechanical

Terminal capacity 1-6 mm²
 Mounting installation DIN rail 50022

Insulated Comb Bar



BUSBAR

Type	rating	cat. no.
1p (with insulation)	60A	MB1PS - 60
2p (with insulation)	60A	MB2PS - 60
3p (with insulation)	60A	MB3PS - 60
4p (with insulation)	60A	MB4PS - 60
1p (with insulation)	100A	MB1PS - 100
2p (with insulation)	100A	MB2PS - 100
3p (with insulation)	100A	MB3PS - 100
4p (with insulation)	100A	MB4PS - 100